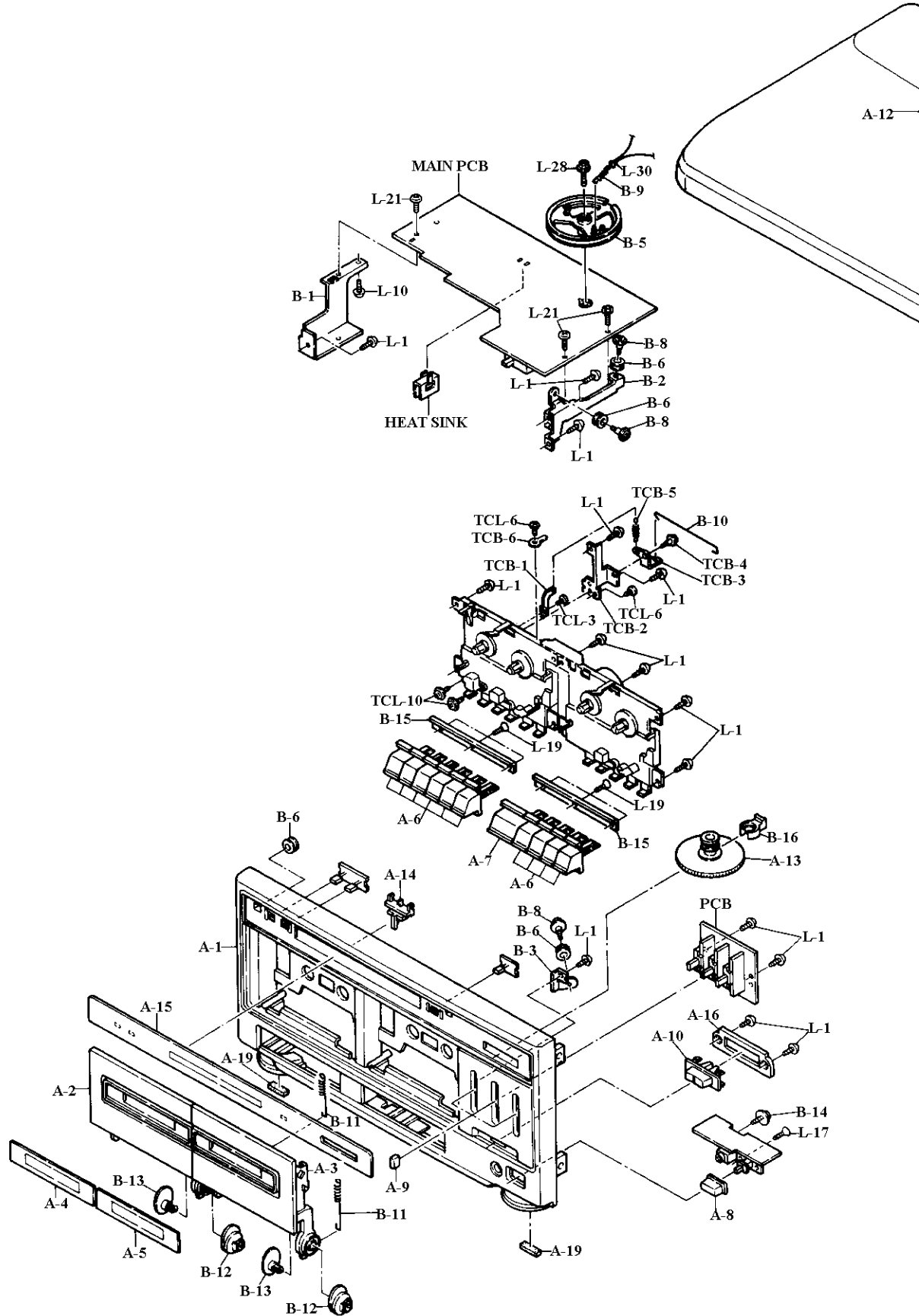


**CLARINETTE 125 AM/FM
STEREO COMPONENT SYSTEM
CABINET SHEET # 1 (130-1245)
FAXBACK DOC # 10937**



**CLARINETTE 125 AM/FM
STEREO COMPONENT SYSTEM
CABINET SHEET # 2 (130-1245)
FAXBACK DOC # 10937**

