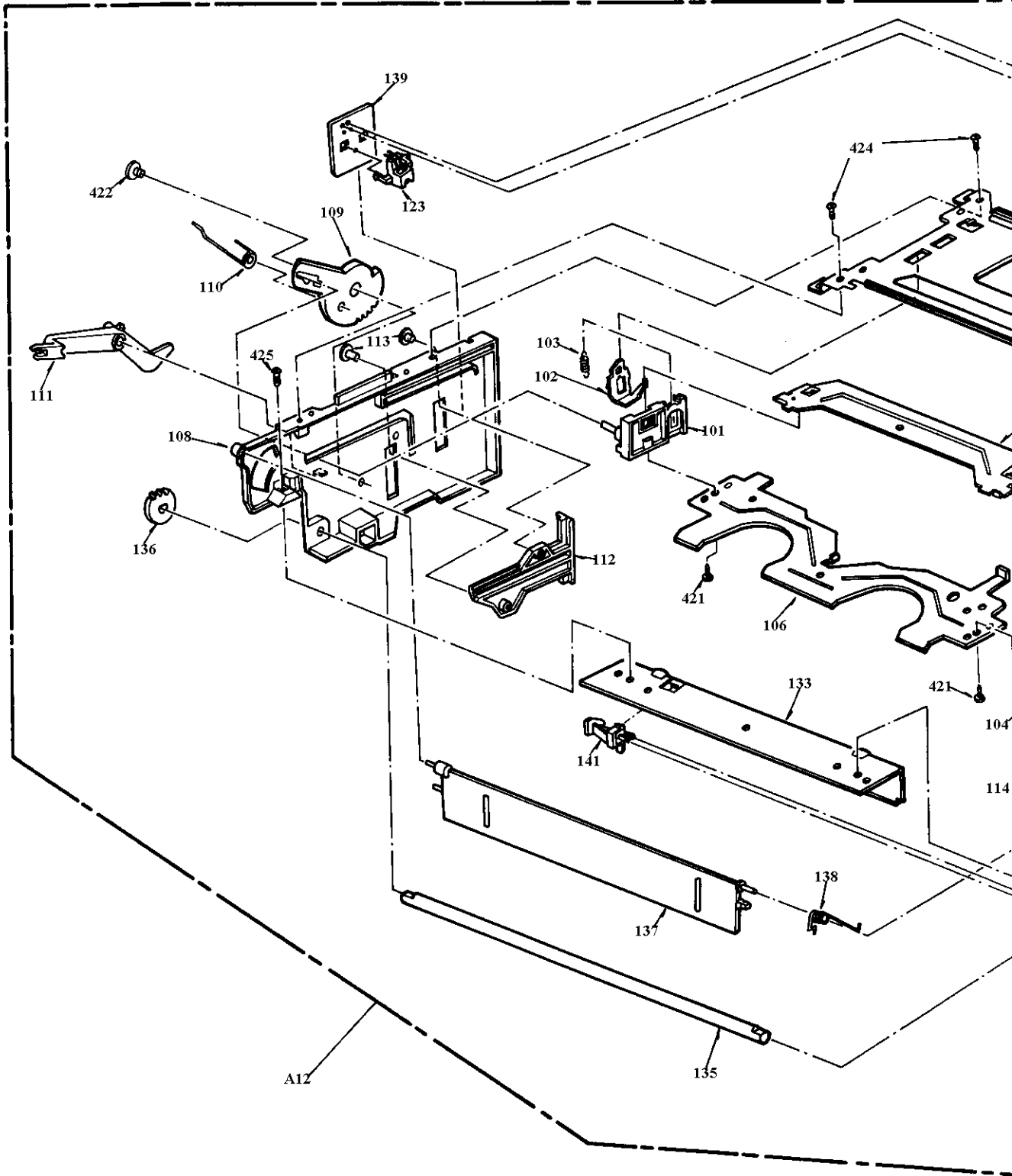


**MODEL 18 VIDEO CASSETTE
RECORDER CASSETTE HOUSING
SHEET # 1 (160-0507)
FAXBACK DOC # 10672**



**MODEL 18 VIDEO CASSETTE
RECORDER CASSETTE HOUSING
SHEET # 2 (160-0507)
FAXBACK DOC # 10672**

