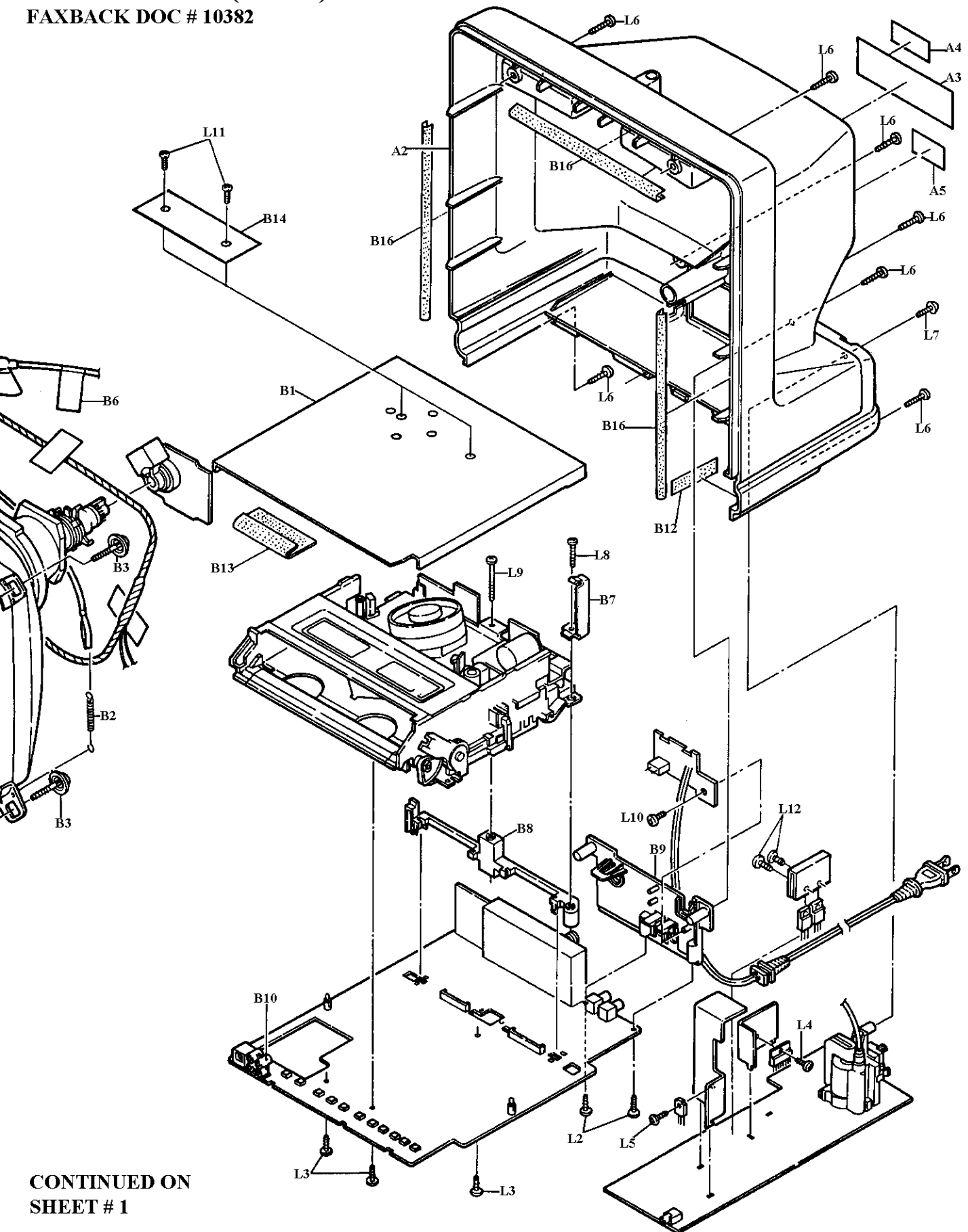


**MODEL 18 13-INCH COLOR
TV/VCR COMBINATION
CABINET SHEET #2 (160-0410)
FAXBACK DOC # 10382**



**CONTINUED ON
SHEET # 1**