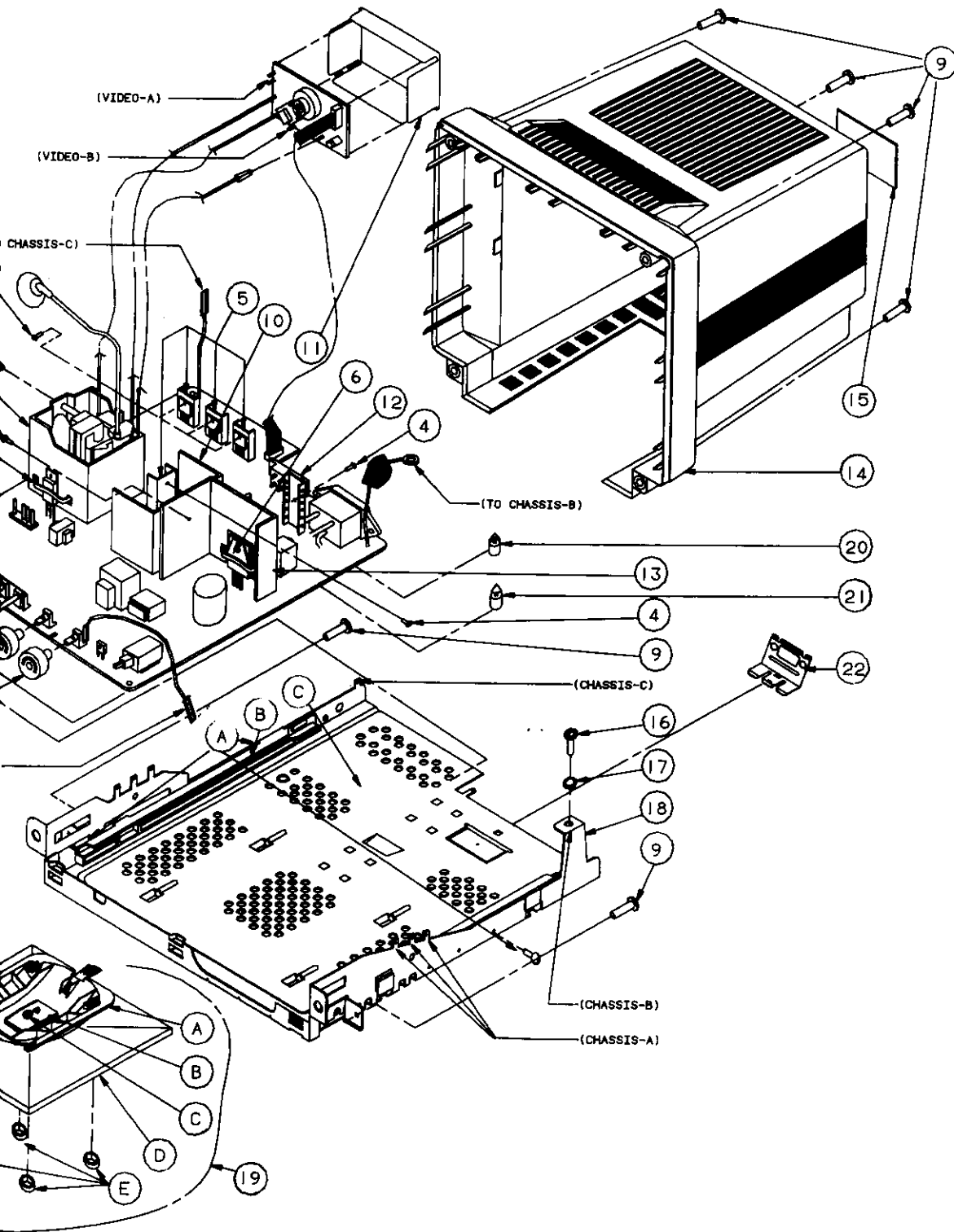


VGM-390 RGB ANALOG  
MONITOR SHEET #2 (250-4091)  
FAXBACK DOC # 10380



CONTINUED ON  
SHEET # 1