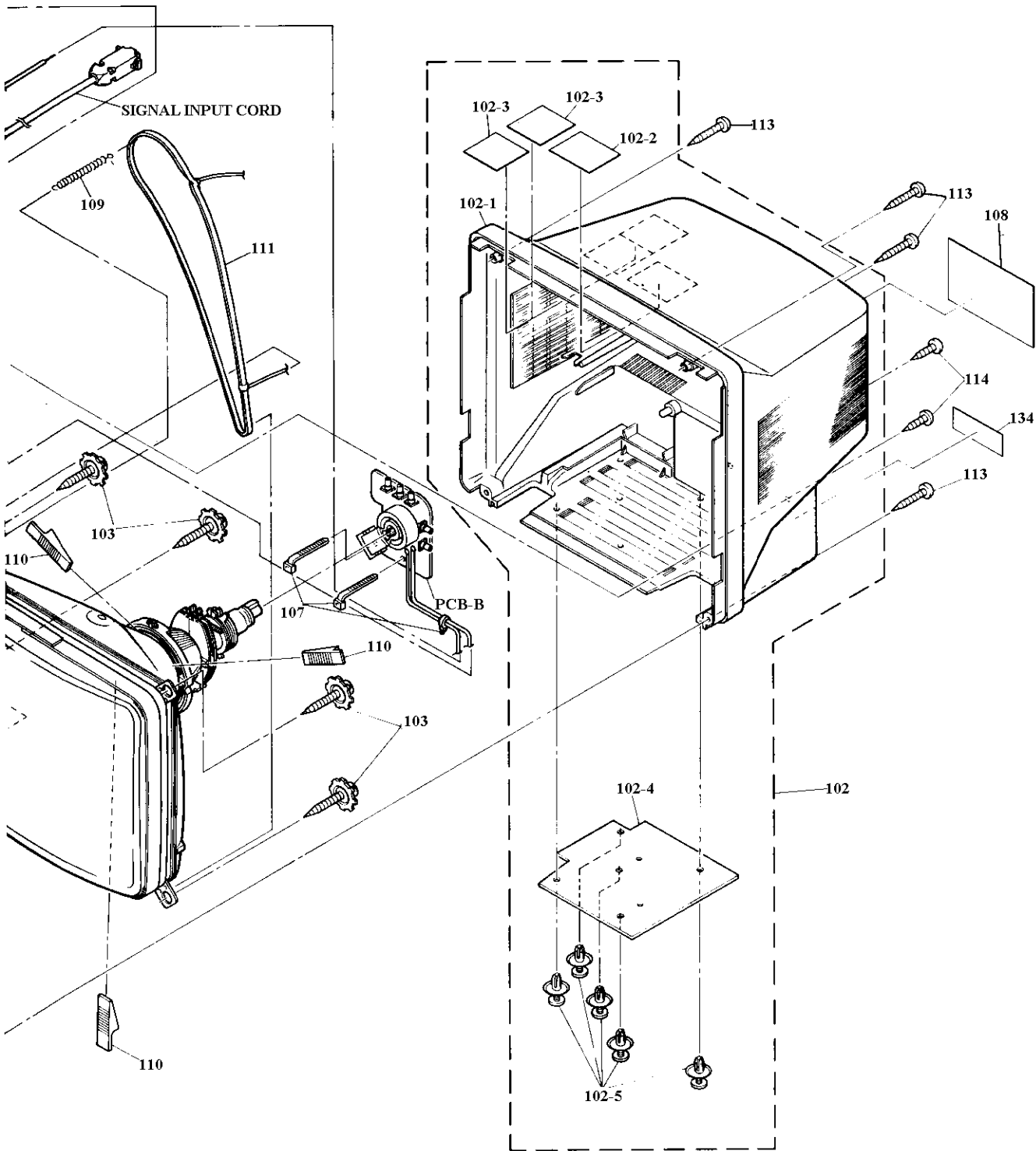


**CM-4 COLOR MONITOR**  
**SHEET # 1 (250-1021)**  
**FAXBACK DOC # 10379**



**CONTINUED ON**  
**SHEET # 1**