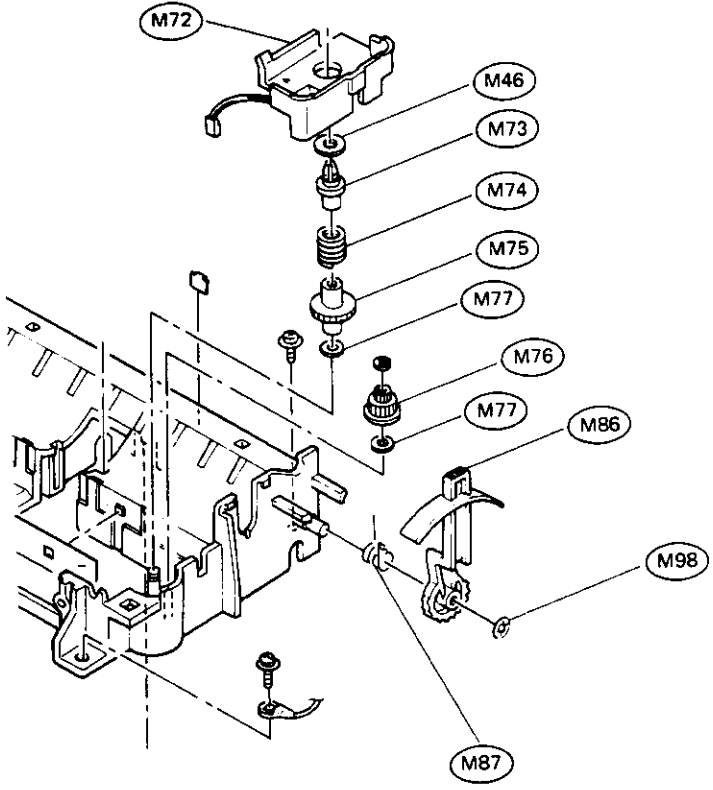
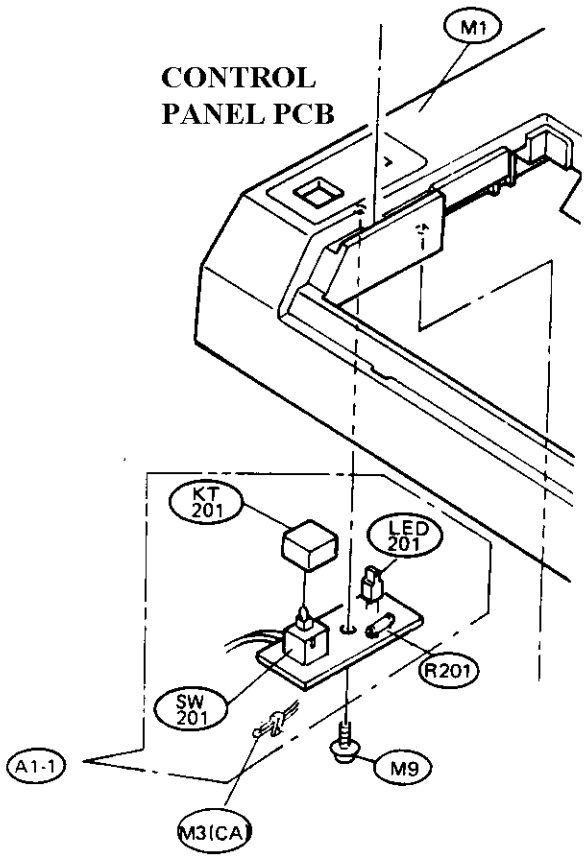


**DMP-106 RIBBON DRIVE/
CONTROL PANEL PCB/
PAPER FEED MOTOR
(260-2802)
FAXBACK DOC # 10358**

RIBBON DRIVE



**CONTROL
PANEL PCB**



PAPER FEED MOTOR

