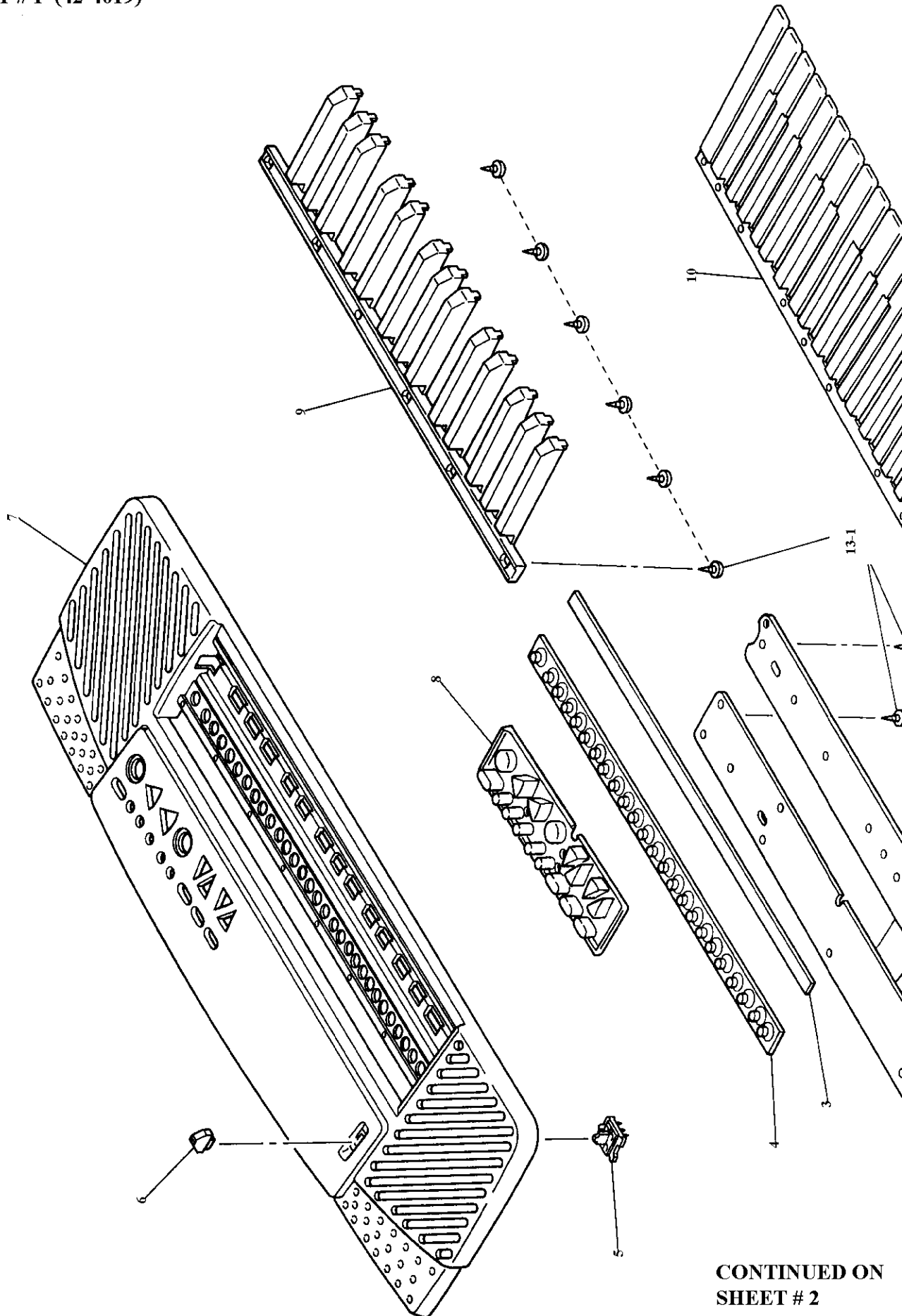
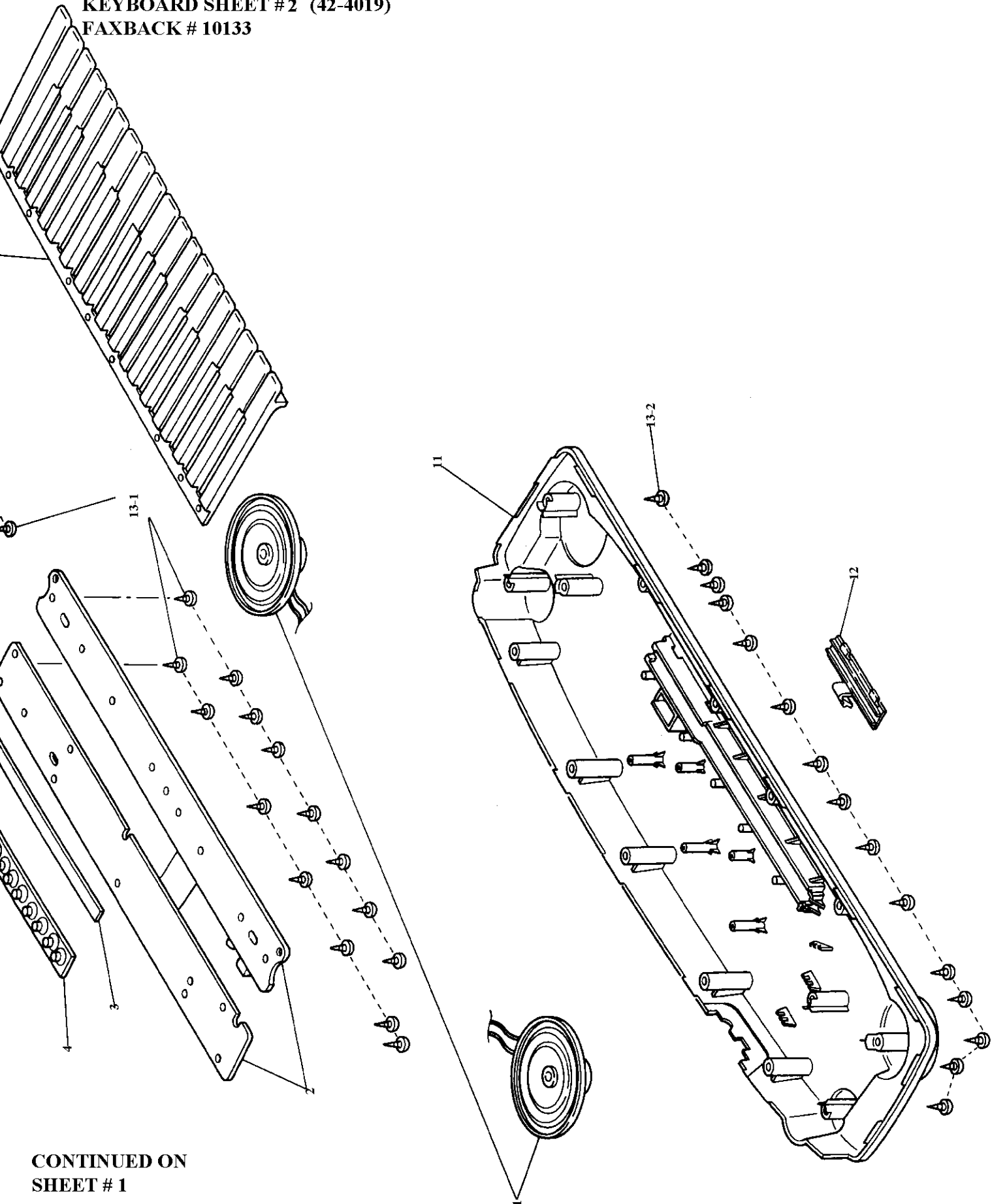


**CONCERTMATE-470 ELECTRONIC
KEYBOARD SHEET # 1 (42-4019)
FAXBACK # 10133**



**CONTINUED ON
SHEET # 2**

**CONCERTMATE-470 ELECTRONIC
KEYBOARD SHEET #2 (42-4019)
FAXBACK # 10133**



**CONTINUED ON
SHEET # 1**