

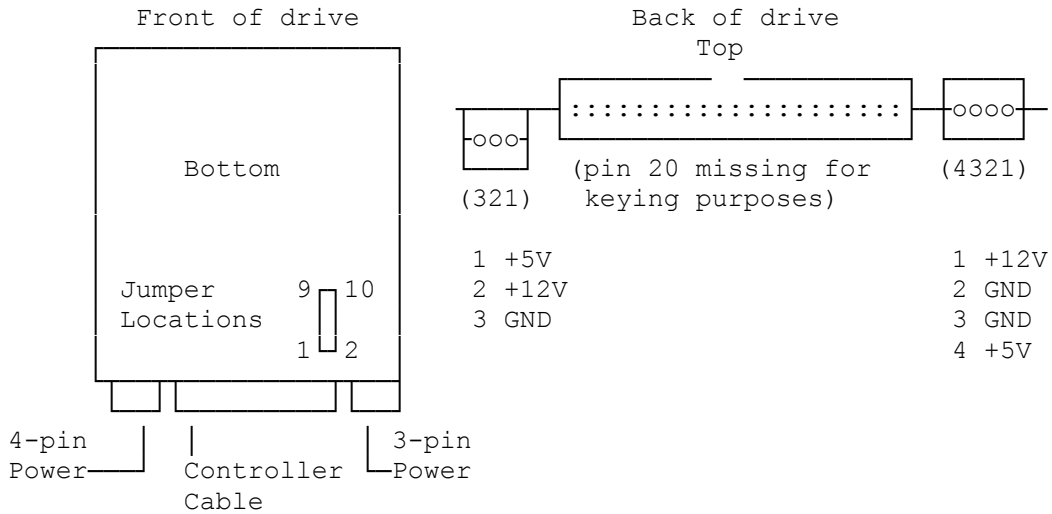
This drive has a jumper block of 10 pins, located behind the 3-pin DC power connector.

1*	3	5	7*	9
2	4	6	8	10

* Jumper locations 1-2 and 7-8 are Reserved - Do Not Use them

Designation	Jumper
Master (only drive)	3-4 (default)
Master (with slave)	3-4, 5-6
Slave	None
Active LED	9-10

Note: For use with a 25-1095 adapter use master (only drive) jumper setting.



(RJS/jlc-04/12/94)

□