

The following steps describe how to connect the data and power cables between the CD-ROM drive and the adapter interface card.

1. Plug one end of the supplied ribbon cable into the CD-ROM's 16-pin connector. Be sure the index notch on the drive's connector matches the cable's connector. (cable should be labeled "drive end")
2. Plug the other end of the ribbon cable into the adapter interface card's connector labeled P2. The cable is "keyed" -- do not force the connection.

CAUTION: The owner's manual for the CDR-1100 does not adequately explain how the data cable is connected between the drive and interface board. The cable connects in only one direction. However, if forced the cable can be connected backwards. The data cable has two header connectors, one end is "keyed" by blocking one of the pin locations; this end should be connected to the P2 connector on the interface board. The other end is not keyed, but does have a label that states "drive end" which should be plugged into the CD-Rom drive.

If the cable is plugged in backwards. They may experience these type of problems:

- ° The drive does not work at all.
- ° The error "fail int 24" when a directory is taken of the CD disk.

Note: An audio CD may play just fine, but the data CD will produce the "fail int 24" error when accessed.

3. Plug one end of the computer's DC power cable into the drive's power connector. Be sure the index notch on the power cable matches the drives connector.

Note: In some instances, the computer's multi-conductor ribbon cable might not be long enough to reach the CD-ROM drive's power connector. If it doesn't, you can use a power cable extension (Cat. No. 276-767) available at your local Radio Shack store.

4. Plug one end of the supplied three-pin cable into the CD-ROM's four-pin audio connector. Be sure the index notch on the drive's connector matches the cable's connector.
5. Plug the other end of the three-pin cable into the adapter interface card's connector labeled P3.
6. Remove the bezel panel from the computer's cover so the front of the CD-ROM drive is visible when you view the front of the computer. Then replace the computer's cover.

Your CDR-1100 has a stereo headphone jack and volume control on its front panel. These let you use stereo headphones to listen to compact discs (CDs).

Faxback Document # 2400 will provide instructions on playing audio CDs.

The adapter interface card has audio output jacks that let you connect the CD-ROM's audio output to an external amplifier and speakers. Using cables with RCA plugs on the ends, connect the adapter interface card's audio output jacks (the top jack is the right channel and the bottom jack is the left channel) to your amplifier's LINE IN jacks.

Note: The audio cable for the MMPC Mod 10 (Natl. Parts Part # W-0411, Catalog # 25-1640, can be used to connect the CDR-1100 to a regular SoundBlaster Pro. You can also use a "Y" cable, Catalog # 42-2153.

Note: The CD-ROM drive's VOLUME control does not affect the signal from the adapter interface card output connectors.

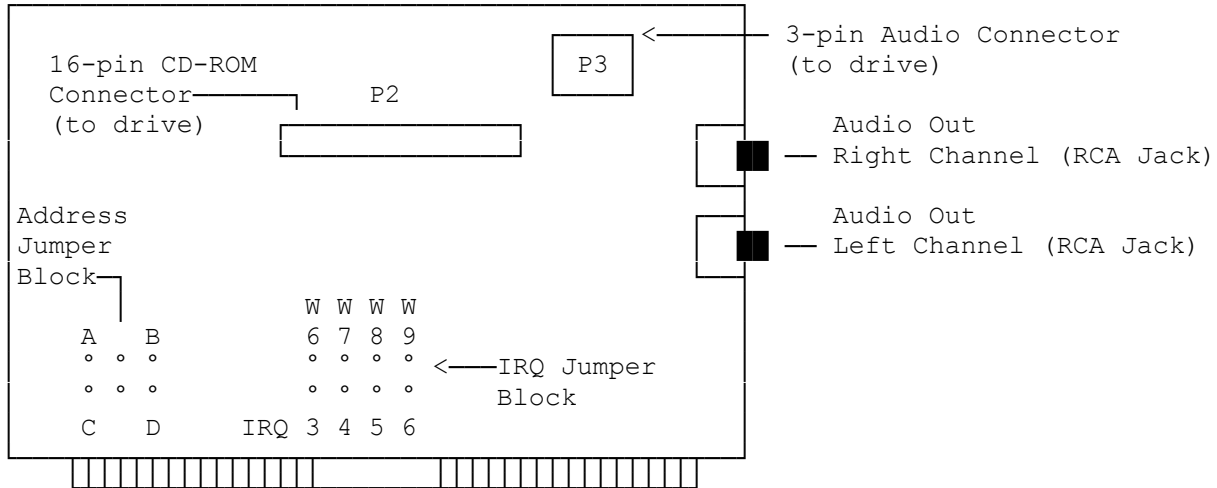
Installing the Adapter Interface Card:

To install the adapter interface card, do the following.

Note: In some cases, it might be easier to attach the cables to the adapter interface card before you install it in the computer.

1. Select the empty option slot closest to the drive tower.
2. Install the adapter interface card in the slot. Be sure it seats properly.
3. Secure the adapter interface card with the appropriate screw.

Interface Board Layout:



(rjs-05/17/93)