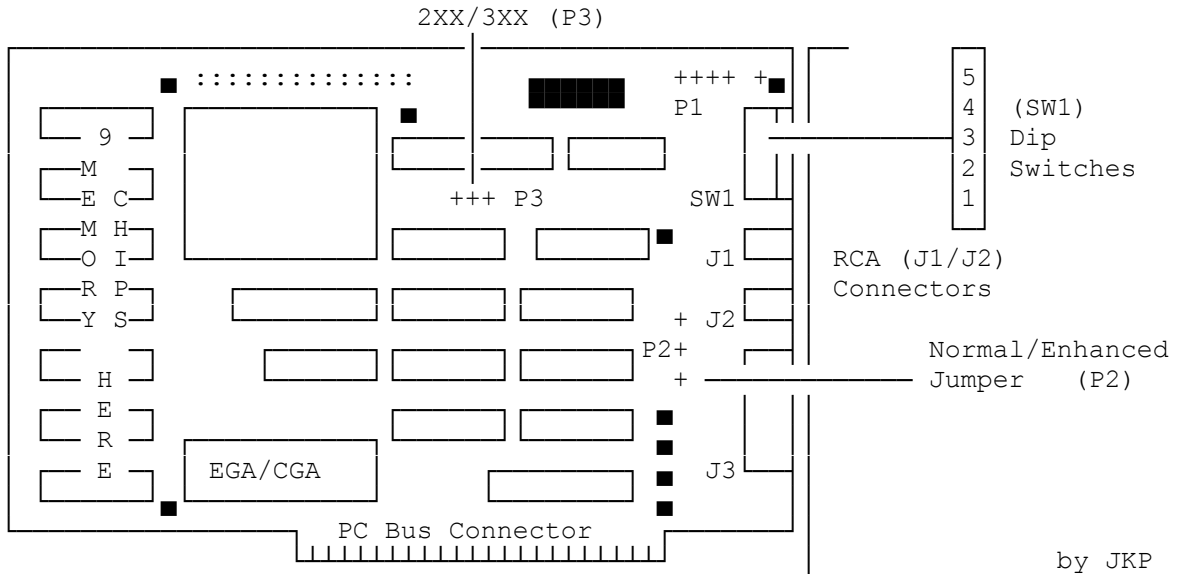


Note: Refer to Faxback Doc. # 2109 for Setting this board.



by JKP