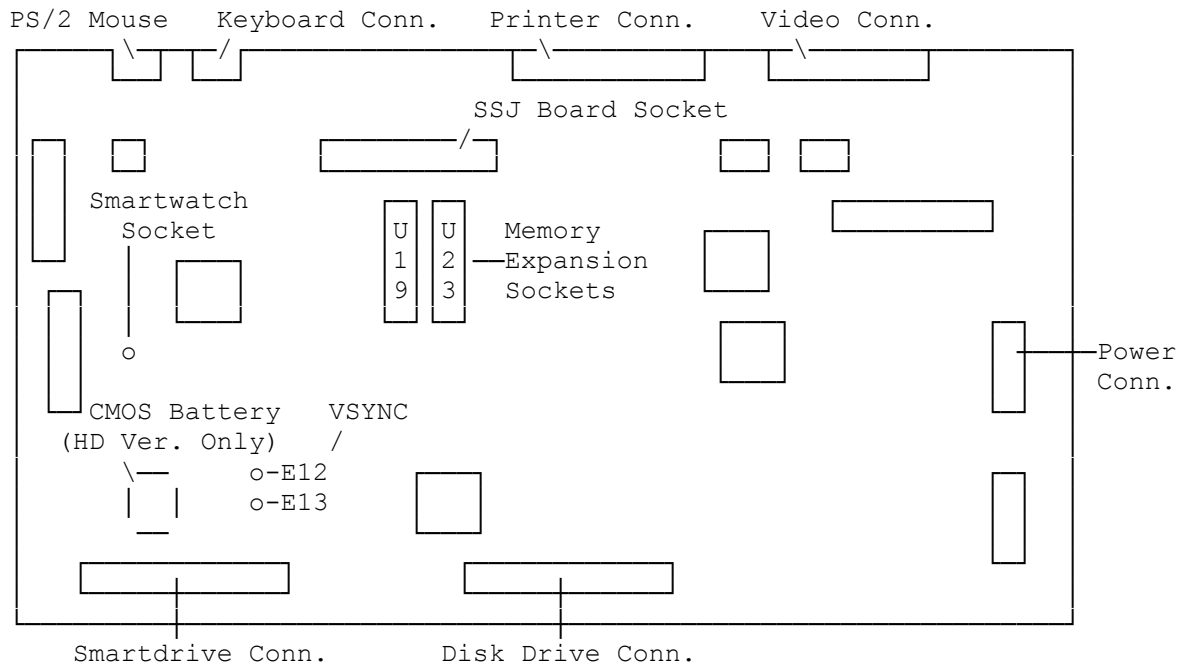


Note: Refer to Faxback Doc. # 1302 for settings this board.



SSJ Board:

