

E2 - E3 jumped connects IRQ5 to Expansion Bus (default).

E3 - E4 jumped connects Video Sync (VSYNC) to IRQ5.

E5 - E6 jumped connects the printer select (SLCTIN*) to the LPT 1 Port.

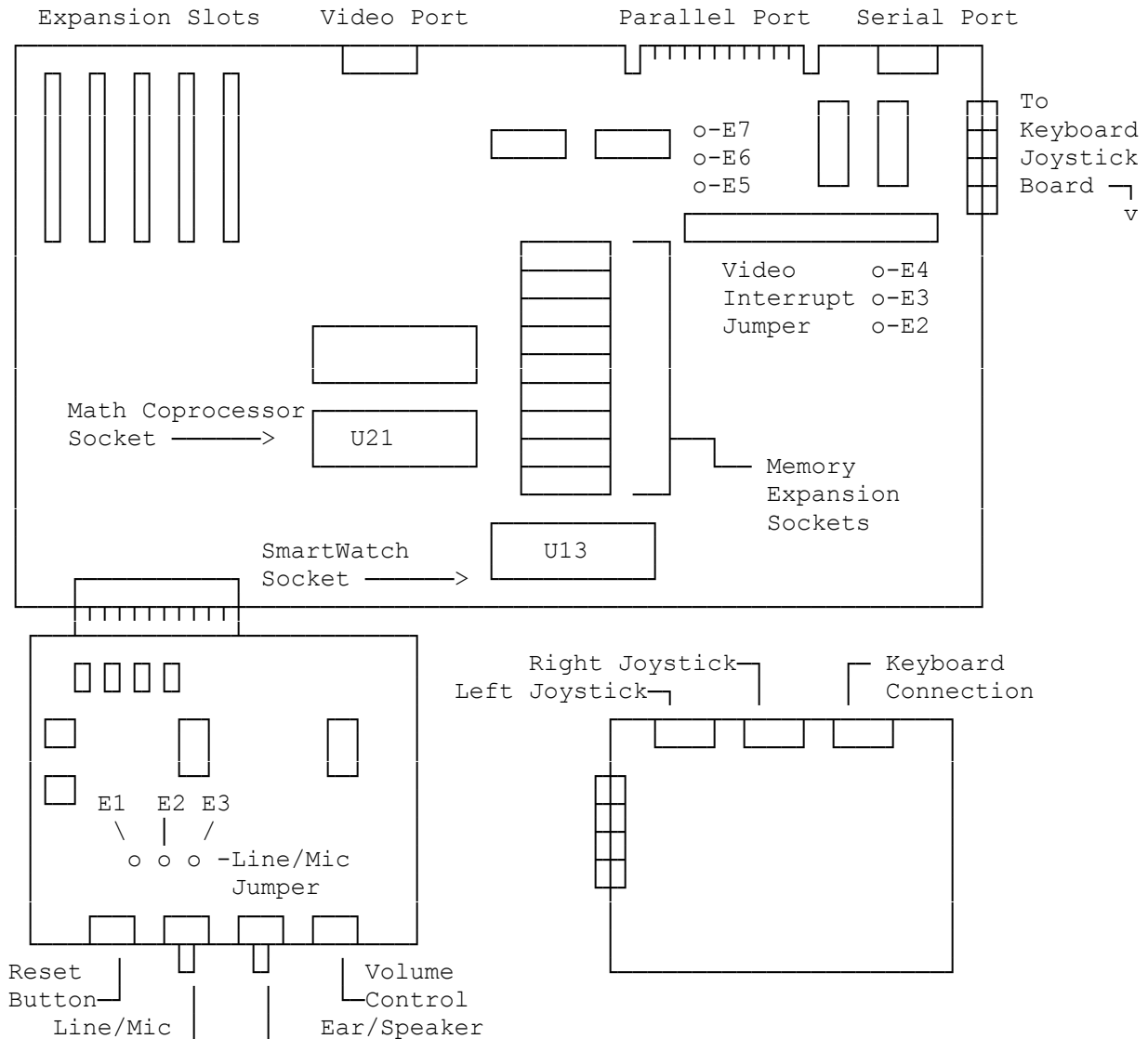
E6 - E7 jumped ties (SLCTIN*) high (default).

Satellite Sound Board:

E1 - E2 jumped connects a line audio input such as a stereo to AUDIOIN.

E2 - E3 jumped connects a microphone input to AUDIOIN (default).

Main Logic Board Layout:



IN ┘ └ OUT

Audio Satellite Board

Keyboard/Joystick Satellite Board

(rjs-06/18/93)