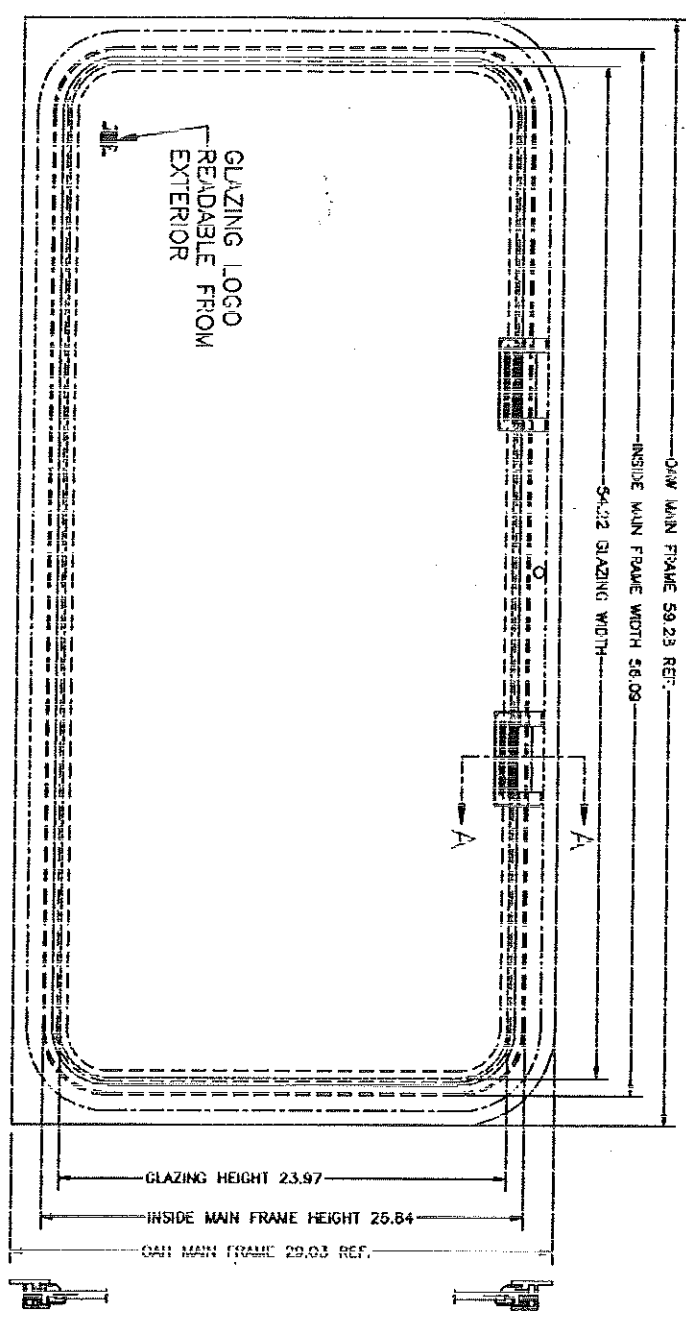


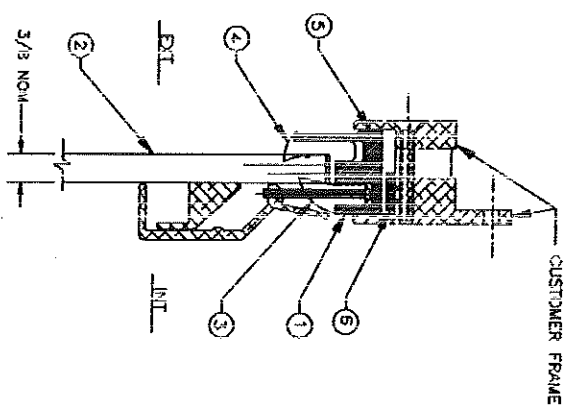
MATERIAL LIST

ITEM QTY	DESCRIPTION	PART NUMBER	RAW STOCK #
1	EE INSERT DETAIL	101D00452	A10M4Q718
2	GLAZING ASSEMBLY	S24A00536	K30K5A321
3	INTERIOR GLAZING GASKET ASSY	S08A00485	E11B1C382
4	EXTERIOR GLAZING GASKET 153" LG.		E11B1C434
5	13 FT. 0.60 X .38 WIDE TAPE		J20A00002
6	13 FT. 13 X .50 CLOSED CELL FOAM		J08A10007

* EXTERIOR GLAZING GASKET: ENDS TO BE GLUED WITH SICO (MGT 8300)



INTERIOR ELEVATION



SECTION A-A
SCALE: 1/8" = 1"

UNLESS OTHERWISE SPECIFIED
DIMENSIONS ARE IN INCHES
TOLERANCES ARE:
2 PL. DIMS ± .012
3 PL. DIMS ± .009
ANGLES ± .005
FRAMES ± .005
DC NOT SCALE
THIS DRAWING

REVISION

NO	DESCRIPTION	DATE	BY

SPECIAL NOTICE

THIS DRAWING IS THE CONFIDENTIAL AND PROPRIETARY PROPERTY OF THE J.T. NELSON COMPANY. NO DISSEMINATION, REPRODUCTION, OR TRANSMISSION OF THIS DRAWING SHALL BE MADE TO ANY PARTY WITHOUT THE EXPRESS WRITTEN CONSENT OF THE J.T. NELSON COMPANY.

Drawn by: J.T. NELSON CO.
08/19/07

Checked by: J.T. NELSON CO.
08/19/07

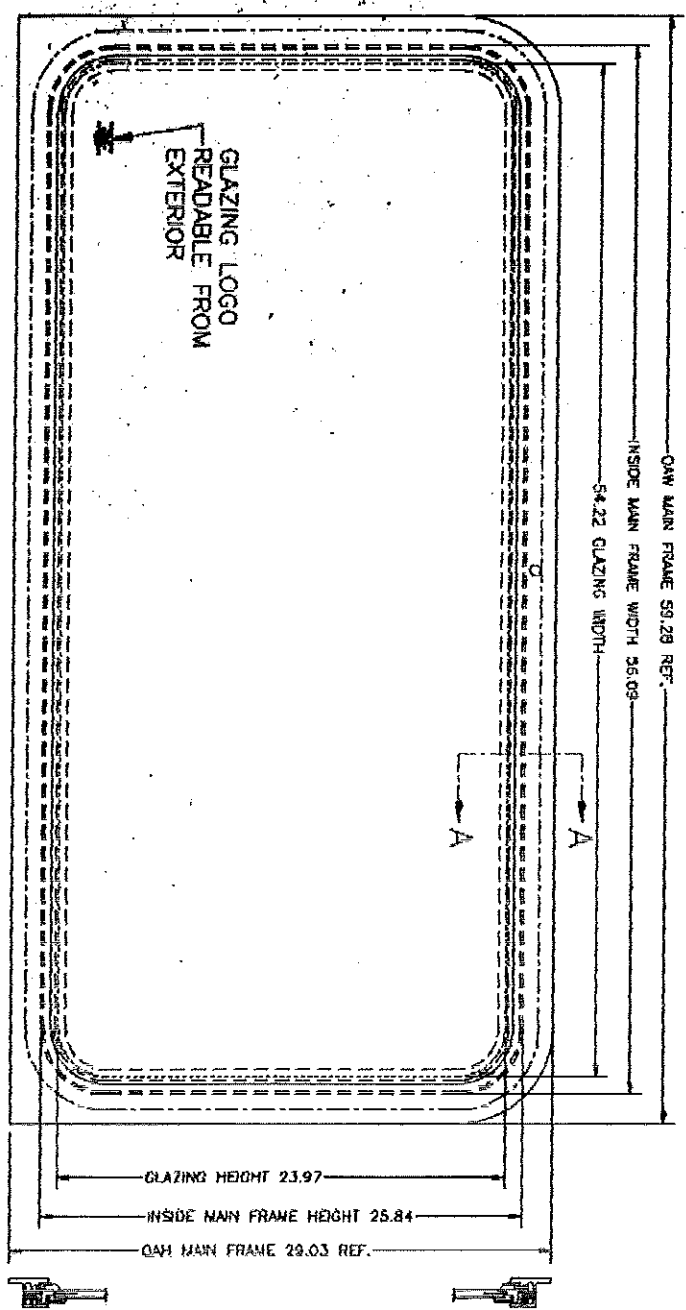
Approved by: J.T. NELSON CO.
09/19/07

Approved by: J.T. NELSON CO.
09/19/07

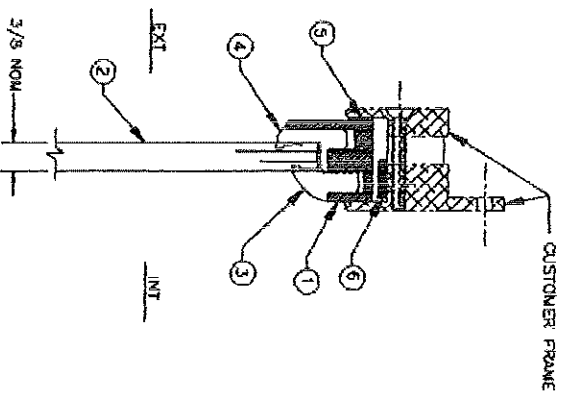
EMERGENCY ESCAPE INSERT ASSEMBLY
Proposed for: BELLEFONTE HISTORICAL ROOM#40190

MATERIAL LIST			
ITEM	QTY	DESCRIPTION	
1.	1	INSERT DETAIL	
2.	1	GLAZING	
3.	1	INTERIOR GLAZING GASKET 153" LG.	
4.	1	EXTERIOR GLAZING GASKET 153" LG.	
5.	13 ft.	.060 X .38 WIDE TAPE	
6.	13 ft.	.13 X .13 X .50 CLOSED CELL FOAM	

* EXTERIOR GLAZING GASKET; ENDS TO BE GLUED WITH SICO NET 8300



INTERIOR ELEVATION



NO	DESCRIPTION	DATE	BY
	REVISION		

SPECIAL NOTICE

THIS DRAWING IS THE CONFIDENTIAL AND PROPRIETARY PROPERTY OF DYNAMIC METALS, LLC. NO DISCLOSURE OF THE INFORMATION CONTAINED IN THIS DRAWING SHALL BE MADE TO ANY THIRD PARTY WITHOUT THE EXPRESS WRITTEN CONSENT OF DYNAMIC METALS, LLC.

DYNAMIC METALS

17213 Reberich Drive
Louisville, Kentucky 40299

Drawn By: SW, 01/2/08
Checked By: SW, 01/2/08
Approved By: SW, 01/2/08
Date: 01/12/08

Drawn By: NTS
Checked By: NTS
Date: 03/19

FIXED INSERT ASSEMBLY

Requester for: BELLEFONTE HISTORICAL

Drawing No: R000440186

UNLESS OTHERWISE SPECIFIED
DIMENSIONS ARE IN INCHES
TOLERANCES ARE:
2 PL. DECIMALS ± .002
3 PL. DECIMALS ± .003
ANGLES ±
FRACTIONS ±
DO NOT SCALE
THIS DRAWING